



# POWERWALL

## BST-POWA SERIES

3.2KWH  
6.4KWH  
12.8KWH



Guangzhou Best Electronic Technology Co.,Ltd

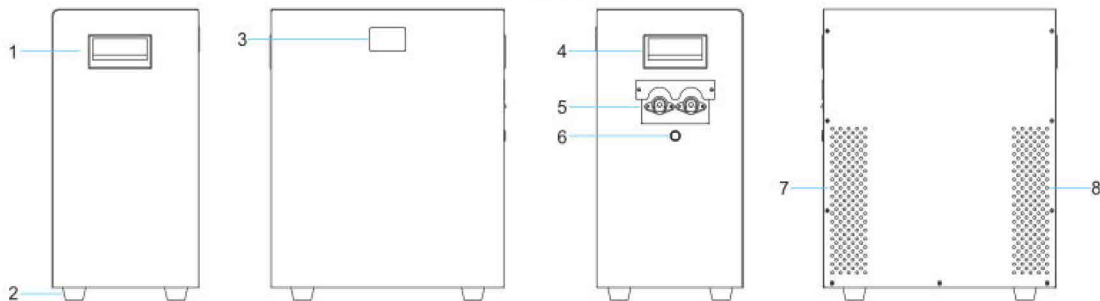
## Features



- ◆ The power supply adopts high-performance LiFePO4 battery, which has high safety performance and long service life;
- ◆ External weak current switch reduces product power consumption and improves safety;
- ◆ Energy storage power supply with casters, which can be used in different occasions;
- ◆ Possess multiple protection functions to protect the safety of the power supply in all positions;
- ◆ Stable output, can be connected to different types of loads within the voltage range;
- ◆ 12V system Standard configuration supports 4 parallels ;24V and 48V system Standard configuration supports 15 parallels and 485 communicate ,

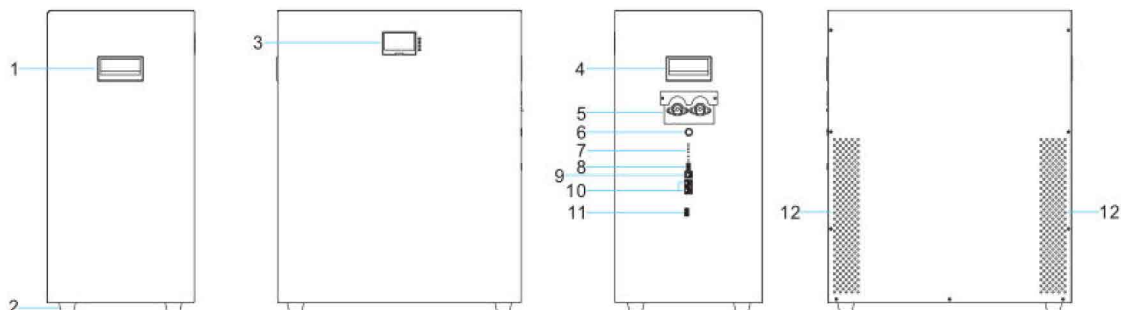
## Structural parts description

### 12.8V 250Ah



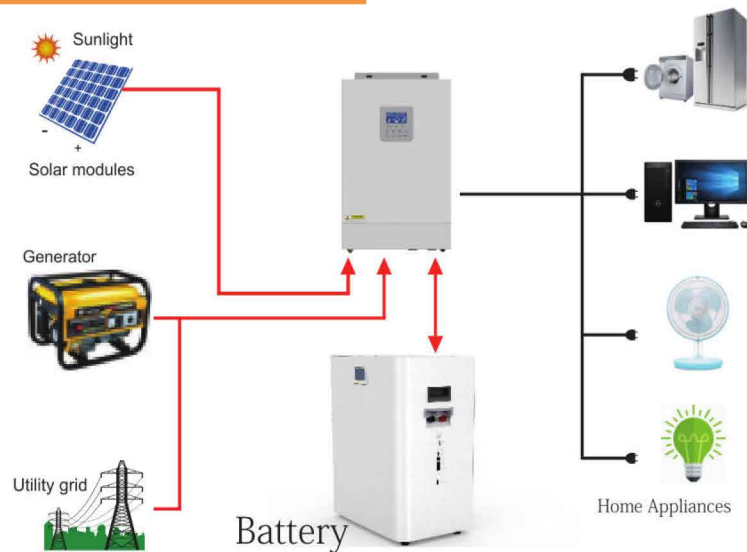
- |                                |  |                   |
|--------------------------------|--|-------------------|
| 1. Left handle                 | 2. Foot pad/Casters                    | 3. Display        |
| 4. Right handle                | 5. Battery positive and negative poles | 6. Battery switch |
| 7. Right heat dissipation port | 8. Left heat dissipation port          |                   |

### 25.6V 250Ah/51.2V 250Ah



- |                               |  |                             |
|-------------------------------|--|-----------------------------|
| 1. Left handle                | 2. Foot pad/Casters                    | 3. Display                  |
| 4. Right handle               | 5. Battery positive and negative poles | 6. Battery switch           |
| 7. indicator lamp             | 8. DIP switch                          | 9. RS232 communication port |
| 10. RS485 communication port. | 11. Dry Contact                        | 12. heat dissipation port   |

## Product connection intention



## Product parameter

MODEL	BST-POWA-3.2KWH	BST-POWA-6.4KWH	BST-POWA-12.8KWH
Cell series connection	4S	8S	16S
Rated energy ( KWH )	3.2	6.4	12.8
Rated voltage ( V )	12.8	25.6	51.2
Charging voltage ( V )	14.6	29.2	58.4
Discharge cut-off voltage( V )	10	20	40
Standard charging current ( A )	50		
Maximum charging current ( A )	125	125	125
Maximum discharge current ( A )	150	200	200
Cycle life	≥5000times@80%DOD,25°C		
Communication method	RS485(Options)	RS485/RS232	
Operating temperature	0-60°C		
Product Size ( L*W*H ) mm	400*251*465	480*311.5*562	580*351*677.5
N.W. ( Kg )	42.5KG	76KG	158KG
Packing size ( L*W*H ) mm	455*315*660	540*565*800	700*390*915
G.W. ( Kg )	51KG	90KG	181KG